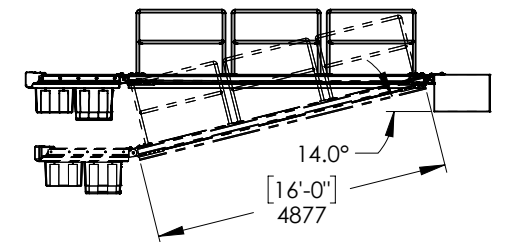
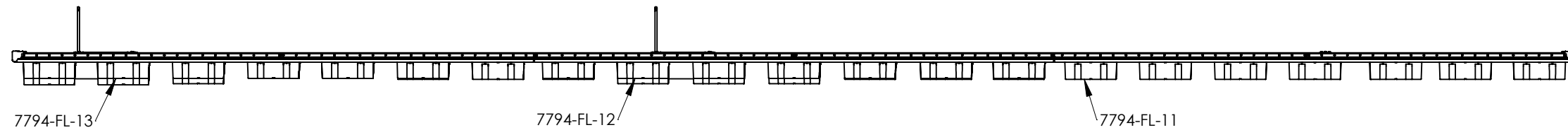
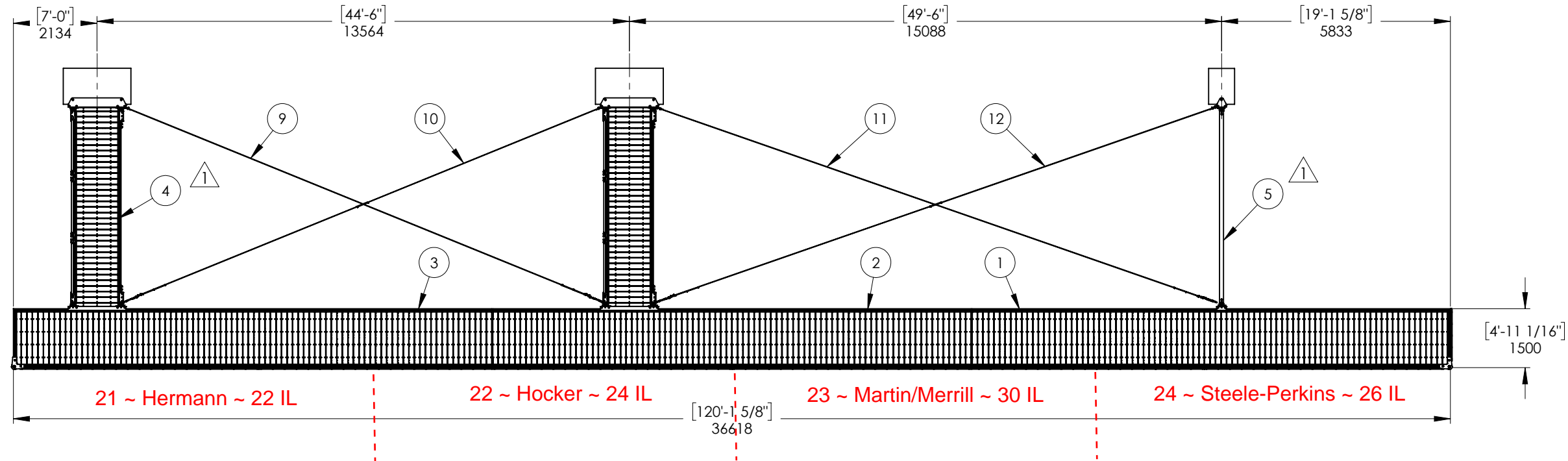


REVISIONS			
REV.	DESCRIPTION	DATE	APPROVED
1	-ITEMS #4 & 5 REPLACED	2023-08-18	M.M.

ITEM	PART NUMBER	DESCRIPTION	QT.	ASSY. QT.	SITE QT.
9	ANY-000428	HDG WIRE CABLE Ø5/16" - 42'-2 1/16" LG.- ASSY.	1		
10	ANY-000429	HDG WIRE CABLE Ø5/16" - 42'-2 1/16" LG. WITH ANTI-FRICTION PIPE - ASSY.	1		
11	ANY-000430	HDG WIRE CABLE Ø5/16" - 48'-6 3/8" LG.- ASSY.	1		
12	ANY-000431	HDG WIRE CABLE Ø5/16" - 48'-6 3/8" LG. WITH ANTI-FRICTION PIPE - ASSY.	1		

ITEM	PART NUMBER	DESCRIPTION	QT.	ASSY. QT.	SITE QT.
1	MDY-002181	MAIN DOCK ASSY 8040 U 1500MM X 12192MM (4.9' X 40')	1		
2	MDY-002171	MAIN DOCK ASSY 8040 H 1500MM X 12192MM (4.9' X 40')	1		
3	MDY-002172	MAIN DOCK ASSY 8040 U 1500MM X 12192MM (4.9' X 40')	1		
4	AGY-001460	INTEGRATED ACCESS DOCK (GANGWAY) STRUCTURE 8040 H 1219MM X 4877MM (4' X 16') - TYPE-1	2		
5	ANY-000456	PUSH ARM 16' LG. (SQUARE TUBE) WITH RUBBER BUSHING	1		
6	7794-FL-11	FLOAT PATTERN	1		
7	7794-FL-12	FLOAT PATTERN	1		
8	7794-FL-13	FLOAT PATTERN	1		



PROJECT NO.	
UNIT NO.	
QTY.	
RELEASE DATE	
APPR. BY	



PROPRIETARY AND CONFIDENTIAL  
 THE INFORMATION CONTAINED IN THIS DRAWING IS THE SOLE PROPERTY OF STRUCTURMARINE. ANY REPRODUCTION IN PART OR AS A WHOLE WITHOUT THE WRITTEN PERMISSION OF STRUCTURMARINE IS PROHIBITED.

UNLESS OTHERWISE SPECIFIED:  
 DIMENSIONS ARE IN MILLIMETERS  
 DIMENSION TOLERANCE: ± 1.0  
 ANGULAR TOLERANCE: ± 0.5°  
 (....) - REF. ONLY DIMENSION  
 (....) - INSPECTION DIMENSION

	NAME	DATE
DESIGNED	RL	28/03/2023
DRAWN	RL	28/03/2023
CHECKED	UM	

TITLE :	
7794 - TOWN HARBOUR ISLAND DOCKS - SECTION C	
DWG. NO.	REV.
<b>SAY-000535</b>	<b>0</b>
WEIGHT : 2784.9 KG	SHEET 1 OF 1

PLOTTED ON : 2023-08-18